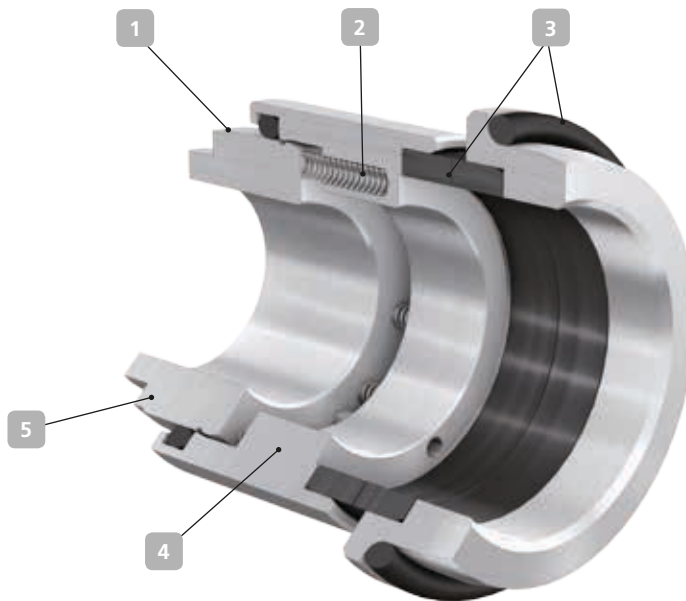


4KBL – for KSB's KWP Bloc type series



Applications:
waste water containing stringy material and abrasive particles

1 Robust

Single mechanical seal, bi-directional and balanced. Tailored to the seal installation space of the pump, suitable for fluids with high solids content.

2 Dependable

Dynamic design, multiple springs located outside the fluid handled. The springs are insensitive to contamination and provide uniform surface pressure across the seal faces, thus ensuring a long service life.

3 Different material variants

The mating ring can be made of tungsten carbide or, alternatively, silicon carbide. Elastomers are available in FKM or, alternatively, perfluoroelastomer (FFKM).

4 Service-friendly

Easy to install, no adjusting dimension required

5 Compact

The pump's shaft protecting sleeve is integrated in the mechanical seal.

Technical description

Design	Single mechanical seal
Type	Dynamic, balanced
Springs	Multi-spring arrangement
Direction of rotation	Bi-directional

Materials

Primary ring	SiC (Q1) / tungsten carbide (U), shrink-fitted
Mating ring	SiC (Q1) / tungsten carbide (U), shrink-fitted
Elastomers	FKM (V) / FFKM (K)
Springs	1.4571 (G)
Other Components	1.4462 (G1)

Other material combinations on request

Technical data

Operating pressure	Up to 25 bar, dynamic Up to 37.5 bar, static
Temperature	0 °C to 100 °C
Bearing bracket (seal size)	P03 (031), P04 (038)*
Business type	Standard (KSB EasySelect)

*For seal size 038, two versions are available: "G" version = cast, "V" version = turned