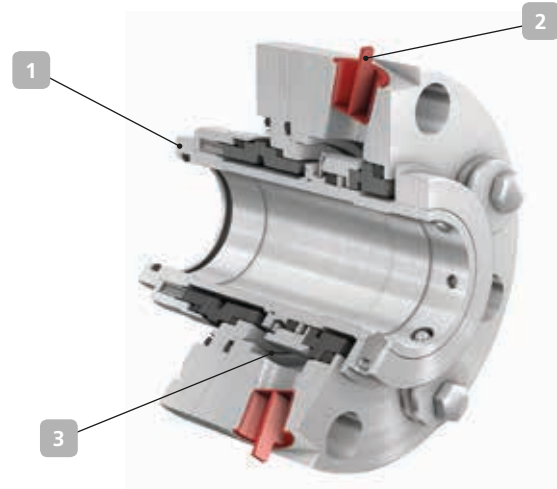


4EDCB8T & D – double mechanical seals to API 682, 4th edition (category 1)

For KSB's MCPK pump type series



Applications:
chemical and petrochemical industries

Arrangements 2 or 3 Contacting, double, product-lubricated and balanced cartridge seal

1 Compact

The double cartridge seal is especially designed for use in the standardised installation spaces of the non-API pump MCPK (CPKN + CPK possible).

2 Flexible

The double cartridge seal can be connected to all common API Plans, such as 01, 02, 11, 31, 32 + 52, 53 (A, B).

3 Safe

The space between the two mechanical seals is flushed with a buffer or barrier fluid, depending on the application. This completely absorbs any leakage of the fluid pumped. In addition, the heat is transported away from this area. The double pressure balanced mechanical seal can be operated with pressurised barrier fluid or unpressurised buffer fluid.

Variants

Variant 4EDCB8T

Double mechanical seal for use with unpressurised buffer fluid (API Plan 52).

Variant 4EDCB8D

Double mechanical seal for use with pressurised barrier fluid (API Plan 53).

Technical description

Category	I
Type	A
Arrangement	2 or 3
Design	Cartridge
Additional information	Various wear part kits available on request

Materials

Inboard	Primary ring "A" carbon (A) / SiC-Si (Q2) Mating ring SiC-Si (Q2) Elastomers FKM (V) / FFKM (K)
Outboard	Primary ring "A" carbon (A)) Mating ring SiC-Si (Q2)) Elastomers FKM (V)
Springs	2.4610 (M)
Other Components	1.4571 (G)
Other material combinations on request	

Technical data

Pressure	Up to 20 bar
Temperature	-10 to 200 °C
Bearing bracket (seal size)	CS40 (033), CS50 (043), CS60 (053), CS80 (065)
Business type	Standard (KSB EasySelect)
Higher application limits on request	