

## HGM – Boiler feed pump



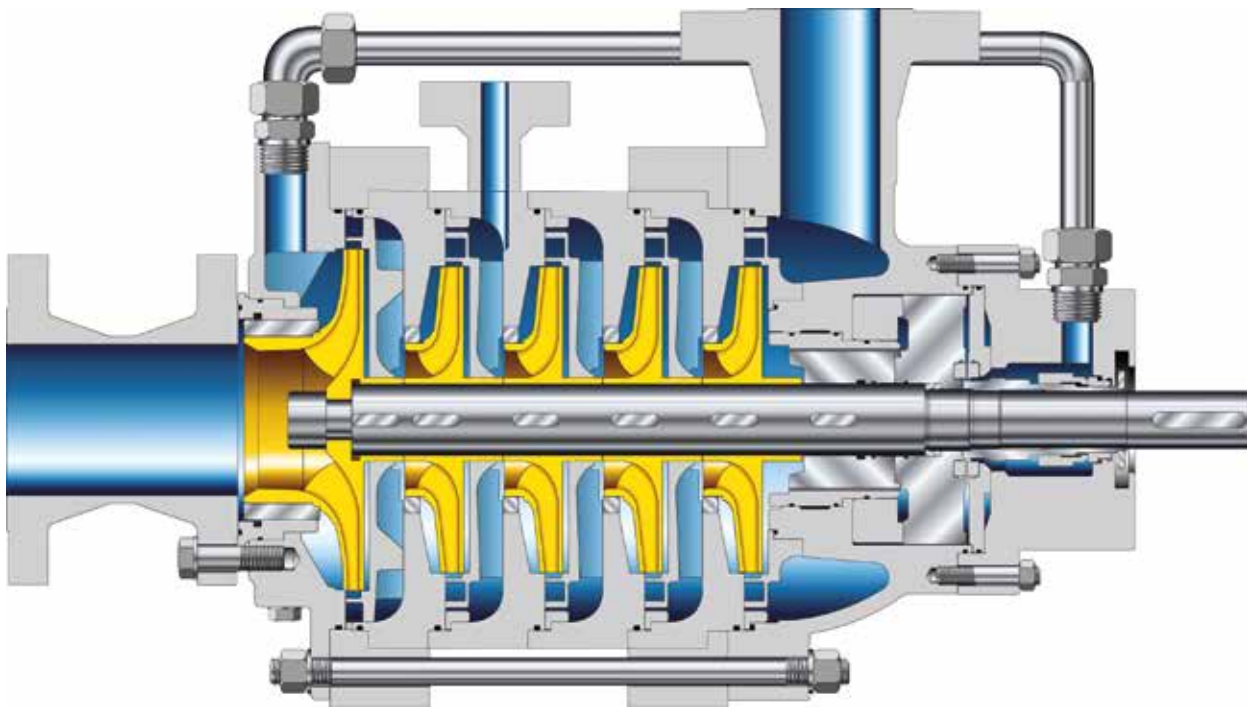
**Applications:**

- Pumping feed water in power stations
- Pumping boiler feed water and condensate in industrial plants

**More information:**

[www.ksb.com/products](http://www.ksb.com/products)

# HGM – Boiler feed pump



- Very smooth operation**  
 thanks to product-lubricated bearings
- Low NPSH values**  
 thanks to axial inlet. Combined with suction impeller
- No auxiliary systems required**  
 No cooling water or lubricant supply
- Ease of service**
- Optimum matching to customer requirements**  
 thanks to various hydraulic system options
- With just one mechanical seal; uncooled up to 140 °C, with integrated air cooler up to 160 °C**

Materials	Variant 3	Variant 4	Variant 7*
Discharge casings	Stainless steel	Stainless steel	Steel
Stage casing	Stainless steel / steel**	Stainless steel / steel**	Steel
Suction stage impellers	Stainless steel	Stainless steel	Stainless steel
Impellers	Stainless steel	Stainless steel	Stainless steel
Diffusers	Stainless steel	Stainless steel	Stainless steel
Shaft	Steel	Stainless steel	Steel

\* Combinations available: variant 7 only for pump sizes 2 and 3  
 \*\* Depending on pump size and stage

Technical data	
Flow rate	up to 76 l/s, 274 m <sup>3</sup> /h
Head	up to 1,400 m
Temperature	up to +160 °C
Operating pressure	up to 140 bar
Speed	up to 3,600 rpm
Frequency	available in 50 / 60 Hz
Higher ratings on request	



KSB SE & Co. KGaA  
 Johann-Klein-Straße 9  
 67227 Frankenthal (Germany)  
 www.ksb.com