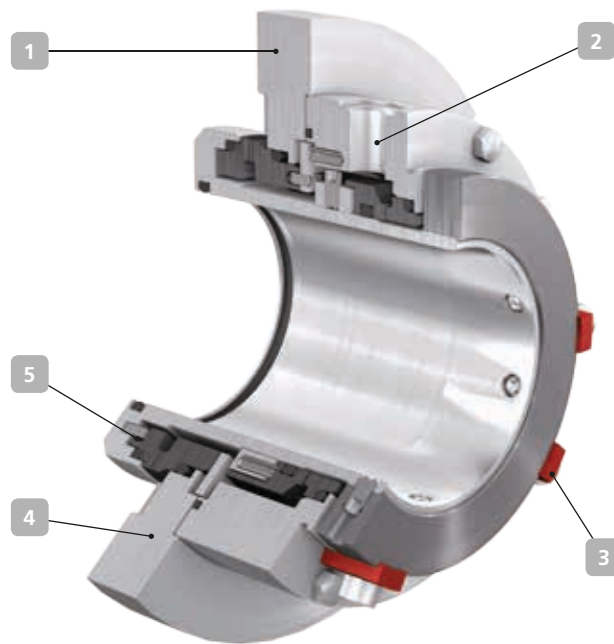


## 4ESD – for KSB's Etanorm-R pump type series



**Applications:**  
drinking, service and hot water

### 1 Compact

Double cartridge seal, bi-directional and balanced. Tailored to the seal installation space and pump requirements.

### 2 Connections

G ¼" barrier/buffer fluid inlet, outlet and drain connections.

### 3 Service-friendly

The cartridge makes for easy installation, ensuring optimal pre-loading of the mechanical seal and low wear.

### 4 Applications

For increased safety levels and dry running protection when the pump is used in suction lift operation.

### 5 Dependable

Stationary: inboard, dynamic: outboard. The double mechanical seal's cartridge can be operated with either unpressurised buffer fluid (quench) or pressurised barrier fluid.

#### Technical description

Design	Double cartridge seal
Type	Stationary (inboard), Dynamic (outboard), Double pressure balanced
Springs	Multi-spring arrangement
Direction of rotation	Bi-directional
Additional information	Specially suited for low inlet pressures

#### Materials

Inboard	Primary and mating ring SiC (Q1)
Outboard	Primary ring 1.4122 (S) Mating ring "B" carbon (B)
Elastomers	FKM (V) / EPDM (E) / FFKM (K) / FEP-encapsulated (M1)
Springs	1.4571 (G)
Other Components	1.4571 (G)

Other material combinations on request

#### Technical data

Operating pressure	Up to 16 bar dynamic Up to 24 bar static
Temperatur	-30 °C to 140 °C
Bearing bracket (seal size)	65 (065)
Business type	Engineered