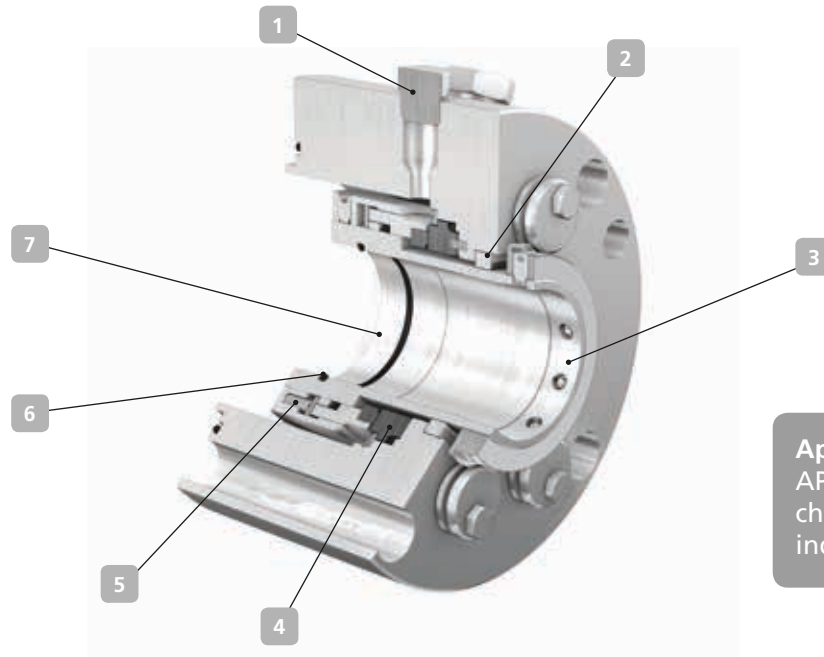


4KSBM6S – mechanical seals to API 682, 3rd Edition



Applications:
API 682 applications in the
chemical and petrochemical
industries

Arrangement 1 Contacting, single, product-lubricated and balanced cartridge seal

1 Configurable flange connections

For API Plans 11, 12, 21, 22, 31, 32, 41 + 61 (62)
and 23 + 61 (62).

2 Fixed throttling bush

Optionally floating.

3 Three strong torque transmitting elements

For transmitting the rotation and for vibration damping.

4 Seal face material

Combination of hard and soft materials, e.g. silicon
carbide and carbon graphite, which is highly resistant
to blistering.

5 Multi-spring arrangement

Made of C276 alloy.

6 Rotating flexible elements

With O-ring as secondary seal.

7 Optional cooled gland packing chamber

(Plan 02) and connections for Plan 23 with
high-efficiency pumping ring.

Technical description

Category	II or III
Type	A
Arrangement	1
Design	Cartridge
Additional information	Various wear part kits available, see ZN3307

Technical data

Shaft diameter	Up to 110 mm
Pressure	Up to 42 bar
Temperature	-10 to 176 °C
Bearing bracket (seal size)	B02 (050), B03 (060), B05 (079), B06 (100)
Sliding velocity	Up to 23 m/s

Materials

Standard	AQ2VMG or AQ2KMG
	Other material combinations on request

The indicated limit conditions are not absolute limits, but should be considered when calculating P*V. Other conditions than specified above can be approved on request.