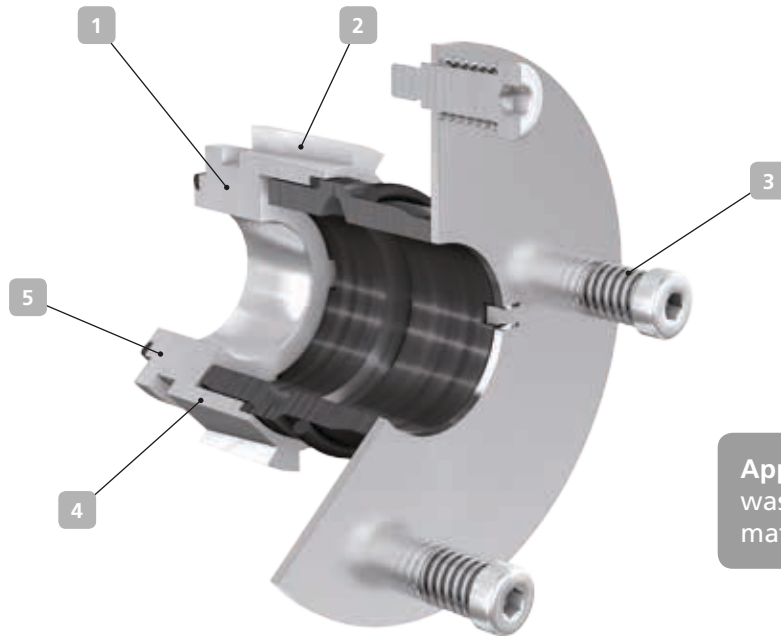


## 4KTM – for KSB's KWP Bloc type series



**Applications:**  
waste water containing stringy material and abrasive particles

### 1 Special design

Special single mechanical seal for seawater applications, bi-directional, tailored to the seal installation space of the pump.

### 2 Circulation

The ribs on the shaft sleeve support circulation of the fluid handled in the clearance between the impeller and the pump casing.

### 3 Dependable

Stationary design, balanced, multiple springs located outside the fluid handled. The springs are insensitive to contamination and provide uniform surface pressure across the seal faces, thus ensuring a long service life.

### 4 Compact

The pump's shaft sleeve is integrated in the mechanical seal.

### 5 Service-friendly

Easy to install, no adjusting dimension required.

#### Technical description

Design	Single mechanical seal
Type	Stationary, balanced
Springs	Multi-spring arrangement
Direction of rotation	Bi-directional
Additional information	Various wear part kits available, see ZN3302

#### Materials

Primary ring	SiC (Q1)
Mating ring	SiC (Q1)
Elastomers	FKM (V) / FFKM (K)
Springs	2.4610 (M)
Other Components	1.4462 (G1)

Other material combinations on request

#### Technical data

Operating pressure	Up to 25 bar, dynamic Up to 37.5 bar, static
Temperature	0 °C to 130 °C
Bearing bracket (seal size)	P03 (031)
Business type	Engineered