

5HG-BM3 – for KSB's HG pump type series

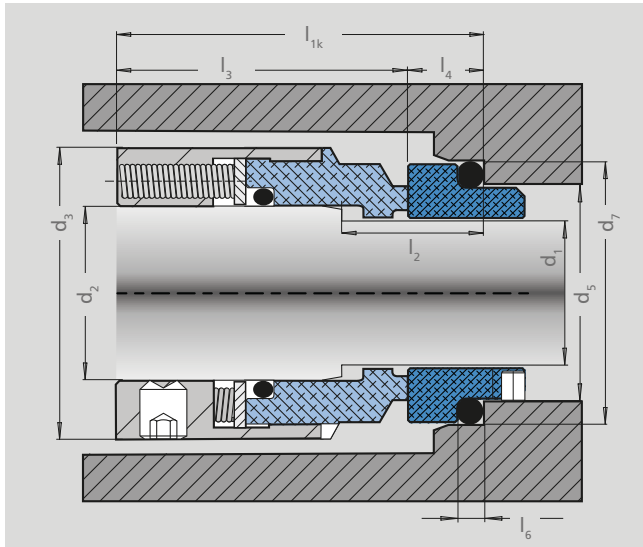
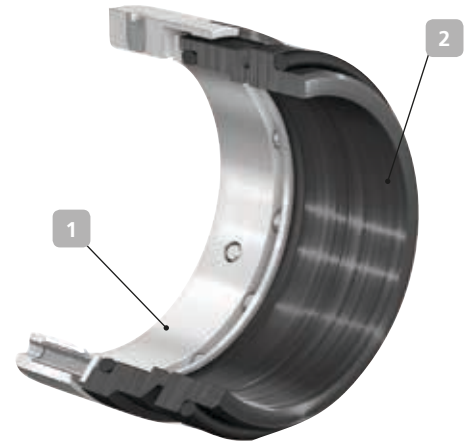


Fig. 1: Standard variant, dimensions see table on the next page



Applications:
feed water and condensate in
power stations

1 Flexible

The single mechanical seal can be fitted in the pump in different versions and arrangements, depending on the application. This means that the seal is always optimally matched to the operating conditions.

2 Durable

Perfectly matched to the application range of the pump, this high-quality mechanical seal has a very long seal life and ensures reliable pump operation.

Materials

| | |
|------------------|----------------|
| Primary ring | "A" carbon (A) |
| Mating ring | SiC (Q1) |
| Elastomers | EPDM (E) |
| Springs | 1.4571 (G) |
| Other Components | 1.4571 (G) |

Technical description

| | |
|-----------------------|---------------------------------|
| Design | Single mechanical seal |
| Type | Dynamic or stationary, balanced |
| Springs | Multi-spring arrangement |
| Direction of rotation | Bi-directional |

Variants

Application limits BM3A

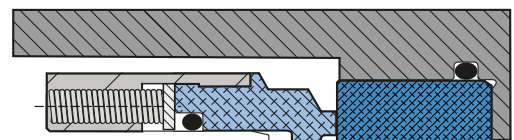
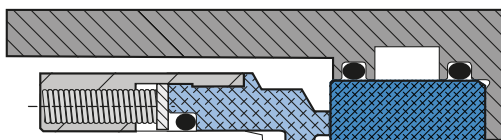
| | |
|--------------------|------------------------------|
| Operating pressure | Up to 40 barg |
| Temperature | Up to 200 °C |
| Seal size | 060, 065, 085, 090, 095, 100 |
| Spring travel | ± 3 mm |

Application limits BM3C

| | |
|--------------------|--------------------|
| Operating pressure | Up to 40 barg |
| Temperature | Up to 170 °C |
| Seal size | 060, 085, 090, 095 |
| Spring travel | ± 3 mm |

Application limits BM3S

| | |
|--------------------|--------------------|
| Operating pressure | Up to 40 barg |
| Temperature | Up to 200 °C |
| Seal size | 060, 085, 090, 095 |
| Spring travel | ± 3 mm |



5HG-BM3 – for KSB's HG pump type series

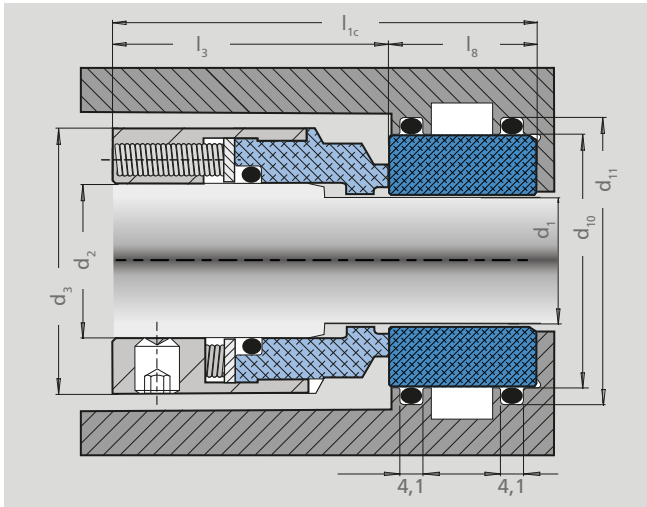


Fig. 2: Variant 5HG-BM3C, dimensions see table below

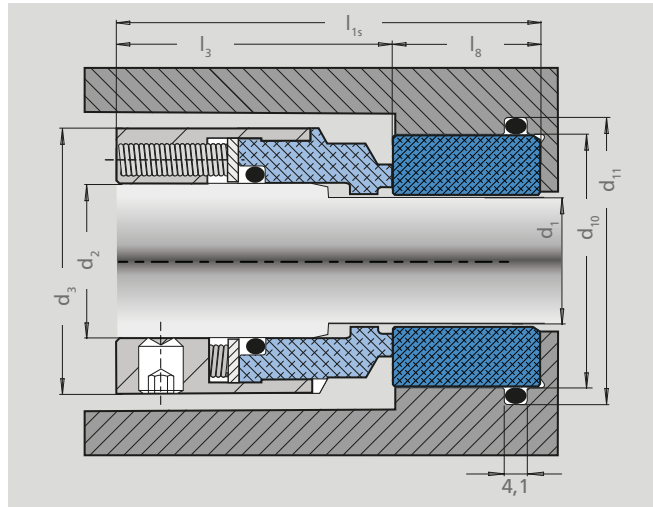


Fig. 3: Variant 5HG-BM3S, dimensions see table below

Dimensions for 5HG-BM3 (in mm)

| Variants | d ₁ -0,2 | d ₂ h6 | d ₃ | d ₅ H11 | d ₇ H8 | d ₁₀ ± 0.05 | d ₁₁ ± 0.05 | l _{1k} | l _{1c} | l _{1s} | l ₂ | l ₃ | l ₄ | l ₆ | l ₈ |
|----------|------------------------|----------------------|----------------|-----------------------|----------------------|---------------------------|---------------------------|-----------------|-----------------|-----------------|----------------|----------------|----------------|----------------|----------------|
| 5HG-BM3A | 60 | 65 | 85 | 72 | 80 | | | 62.5 | | | 25 | 49.5 | 13 | 6 | |
| | 65 | 70 | 90 | 77 | 85 | | | 62.5 | | | 25 | 49.5 | 13 | 6 | |
| | 85 | 90 | 114 | 100 | 110 | | | 75 | | | 28 | 59.5 | 15.5 | 7 | |
| | 90 | 95 | 119 | 105 | 115 | | | 75 | | | 28 | 59.5 | 15.5 | 7 | |
| | 95 | 100 | 124 | 110 | 120 | | | 75 | | | 28 | 59.5 | 15.5 | 7 | |
| | 100 | 105 | 129 | 115 | 125 | | | 75 | | | 28 | 59.5 | 15.5 | 7 | |
| 5HG-BM3C | 60 | 65 | 85 | | | 82.75 | 88.67 | | 76 | | | 49.5 | | | 26.5 |
| | 85 | 90 | 114 | | | 108.15 | 114.07 | | 87 | | | 59.5 | | | 27.5 |
| | 90 | 95 | 119 | | | 114.50 | 120.42 | | 87 | | | 59.5 | | | 27.5 |
| | 95 | 100 | 124 | | | 117.68 | 123.60 | | 87 | | | 59.5 | | | 27.5 |
| 5HG-BM3S | 60 | 65 | 85 | | | 82.75 | 88.67 | | | 76 | | 49.5 | | | 26.5 |
| | 85 | 90 | 114 | | | 108.15 | 114.07 | | | 87 | | 59.5 | | | 27.5 |
| | 90 | 95 | 119 | | | 114.50 | 120.42 | | | 87 | | 59.5 | | | 27.5 |
| | 95 | 100 | 124 | | | 117.68 | 123.60 | | | 87 | | 59.5 | | | 27.5 |